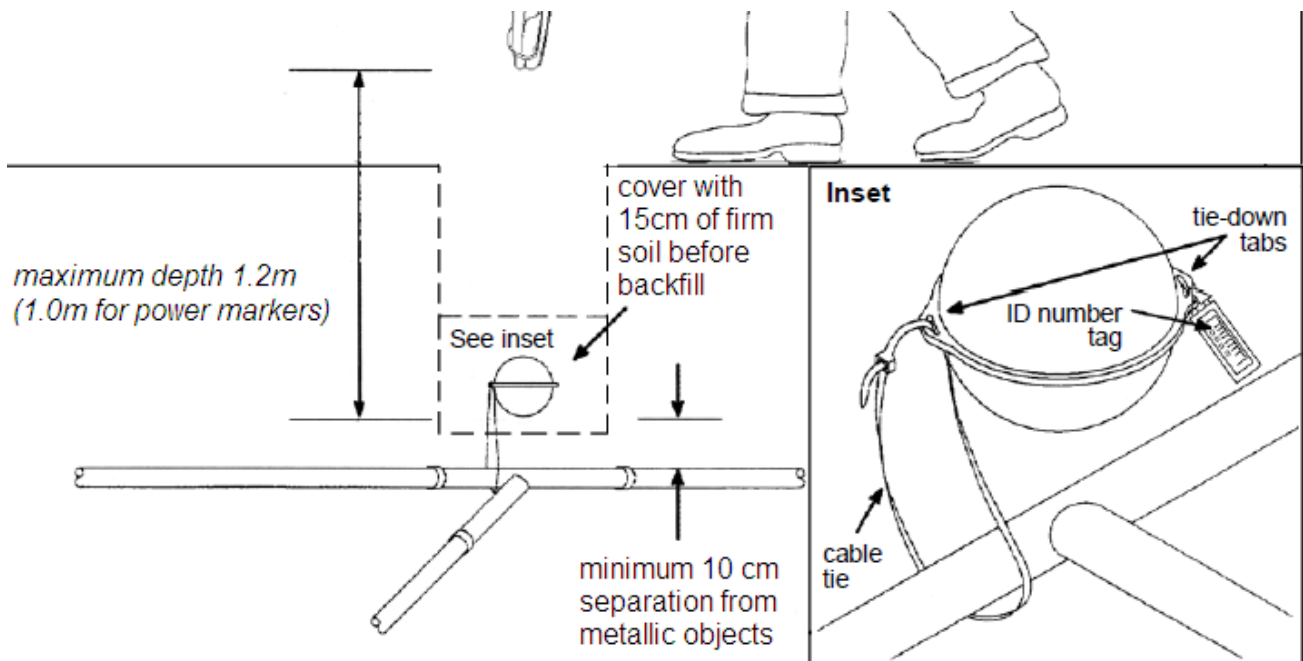


## Intelligent Trench Ball Marker Burial Instructions



1. Users **must** ensure markers are positioned at least 1.2m apart to ensure signal separation. In cases of shallower burial the nearest marker of the same frequency (colour) may be positioned at least as far away horizontally as the depth of the markers. Markers of different frequencies (colours) may be positioned as close together as desired
2. (*Recommended*) Attach marker to asset using cable ties or other method
3. (*Recommended*) Take all necessary photographs of marker & trench
4. (*Optional*) Remove ID number tag (barcode) from marker and attach to relevant documentation
5. (*Recommended*) If the asset being marked is metallic, ball marker should be separated by at least 10cm of firm sand or soil.
6. When placed, markers **must** be covered by at least 15cm of firmly packed soft fill. Do not use stones or any sharp objects.
7. Backfill the hole, subject to the maximum depth specified in the diagram.